

Electric wiring diagram for 3-room multi outdoor unit (CMRV1934EH)

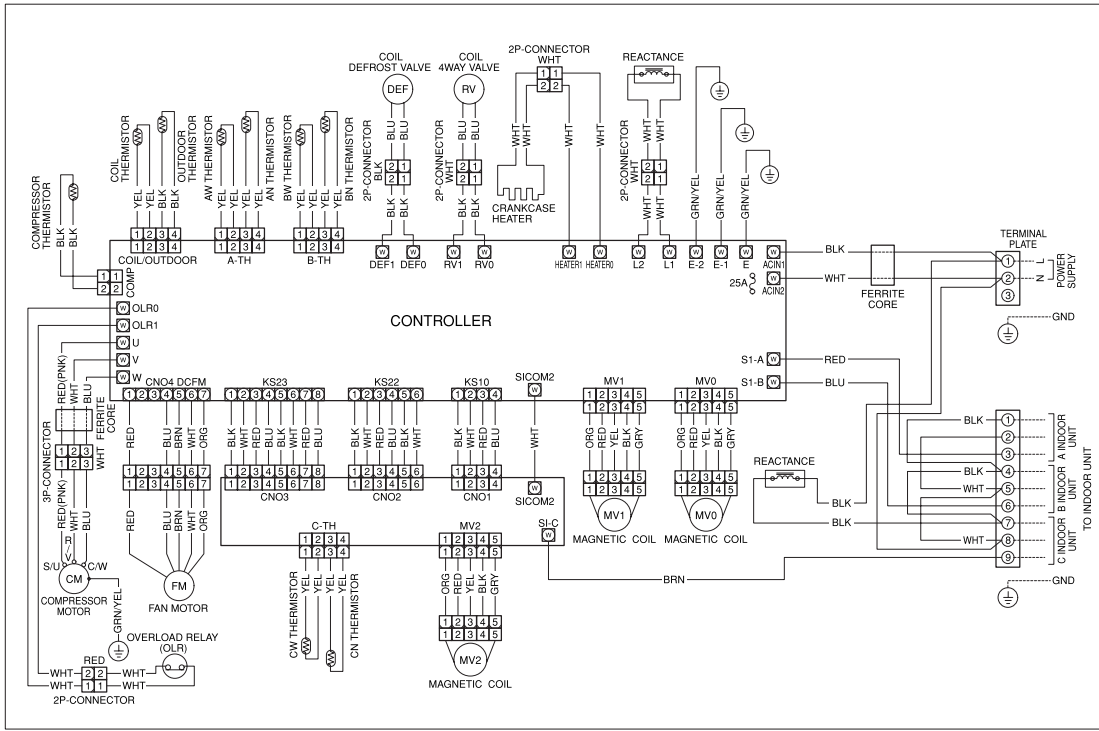


Fig. 34b

8FA-2-5257-57000-0

Electric wiring diagram for 4-room multi outdoor unit (CMRV2444/3144EH)

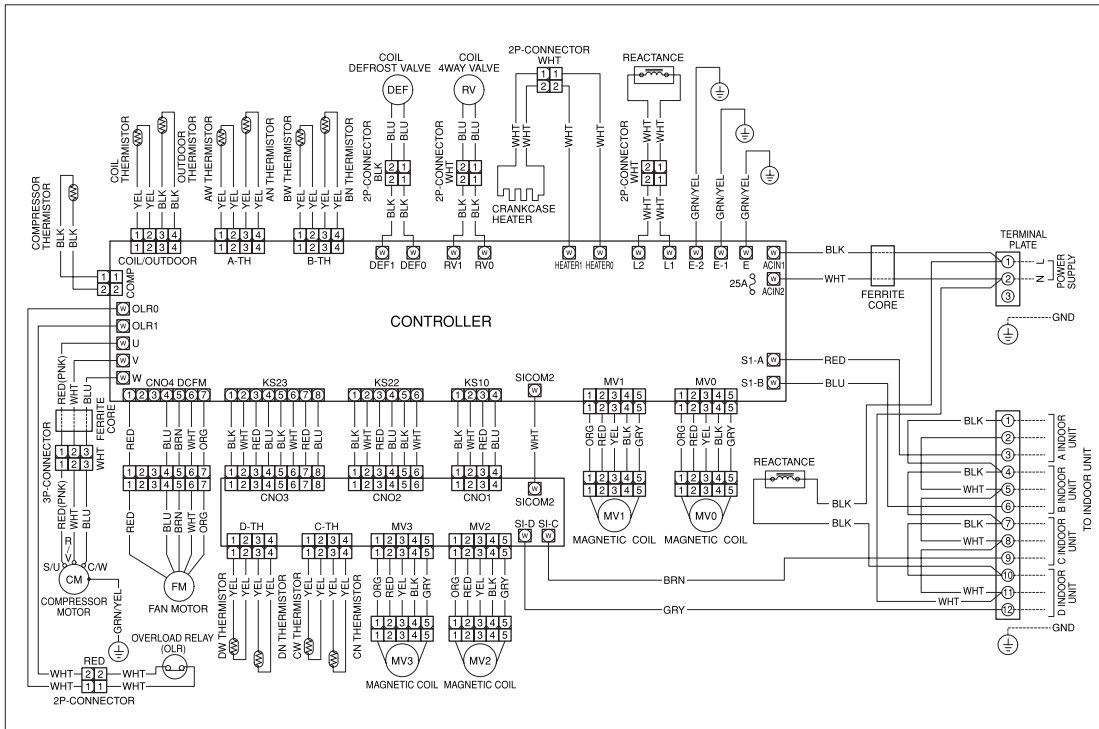


Fig. 34c

8FA-2-5257-57100-0



WARNING

To prevent electric shock, do not inspect or repair until the Power Lamp on the P.C.Board is turned off.

Meaning of Abbreviations

ABBREV.	MEANING
1 BLK	BLACK
2 BLU	BLUE
3 BRN	BROWN
4 GRN/YEL	GREEN/YELLOW
5 GRY	GREY
6 ORG	ORANGE
7 PNK	PINK
8 RED	RED
9 VLT	VIOLET
10 WHT	WHITE
11 YEL	YELLOW